

# HID22 VPX2H2T-40

## ADVANCED IR LED DOME CAMERA

1/2.8" CMOS sensor(SONY IMX290)

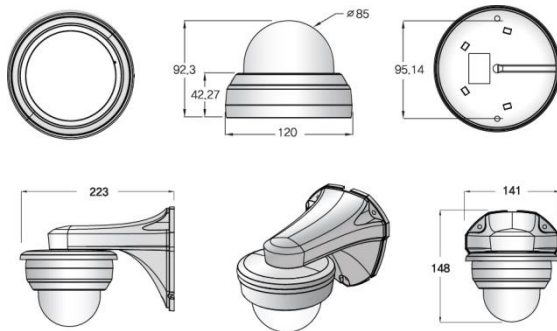
0 Lux at IR On (IR LED 02 pcs) / DNR (Digital Noise Reduction)

WDR (Wide Dynamic Range) / Day & Night (ICR Option) / Easy Installation

Fixed Lens : 4mm



### DOMES DIMENSIONS (mm)



System Structure	DSP	Embedded RTOS, DSP(Hi3516C V300)
	Sensor	1/2.8" CMOS sensor(SONY IMX290)
Video Encoding	Video Encoding	H.265/ H.264High Profile/Main Profile/Base Line Profile/ MJPEG H.265+/H.264High Profile+/Main Profile+/Base LineProfile+
	Maximum Image Output	Main stream : 1920*1080@25/30fps ; Auxiliary stream 1: 704*576@25/30fps ; Auxiliary stream 2: 1280*720@25/30fps ;
	Streaming transmission	Three stream
Image Enhancement	Video Bite rate	32Kbps~8MKbps
	Min. illumination	Color0.01Lux@F1.2 ( AGC ON ) ; Black and white0.001Lux@F1.2 ( AGC ON )
	Electronic shutter	Auto ( 1/25 to 1/10000 )
	Day/Night switch	Color/B&W/Light sensitive switch/Mixed mode switch
	DNR	2D and 3D DNR
	WDR	Support true WDR
	Video Adjust	Sharpness, Brightness, Saturation, Contrast, chroma adjustable
	Image model	Transparent /real
	Color pattern	Standard /gorgeous
	Corridor pattern / Backlight-compensation / Anti-fog	Support
	Interfaces	Signal interface
Smart IR / Reset interface / CVBS interface / USB interface / Network light interface		One Port
Audio interface		One audio in ; One audio out
Alarm interface		One alarm in
Power interface		One DC12V power input
POE interface		One Extended Interface
Network interface		One RJ45 10/100M Port
Motion detection		Multiple detection zones, variable sensitivity levels
Capture function		JPEG , capture resolution is the max coding resolution
Security		Password protection and water marker
Functions	OSD	Support Channel Name and Time , custom character superposition , image overlay
	Smart function	Perimeter Intrusion Detection
	Smart alarm	Network abnormal, cover alarm etc.
	Storage	Support FTP storage
	Smart function	Perimeter Intrusion Detection
	Protocol support	TCP/IP ; UDP ; HTTP ; IGMP ; ICMP ; DHCP ; RTP/RTSP ; DNS ; DDNS ; FTP ; NTP ; PPPoE ; UPNP ; SMTP ; SNMP
	Interface protocol	ONVIF/CGI
	Power Supply	DC12V/POE(-P)
	Power Consumption	<1W (without infrared lamp board)
	Lightning Protection	Power , network, POE all lightning protection, meets with standard GB/T17626.5 , and IEC61000-4-5